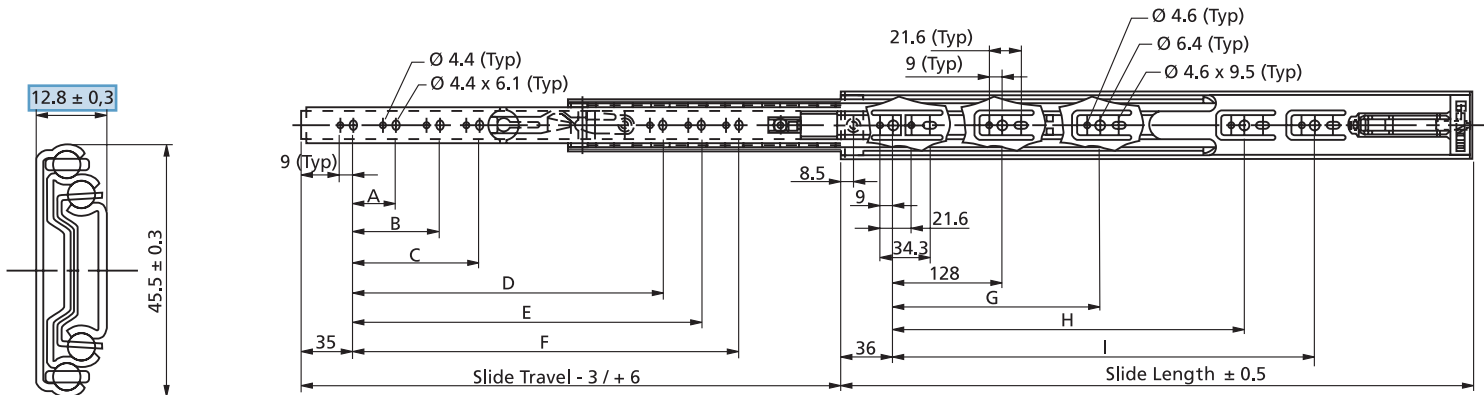
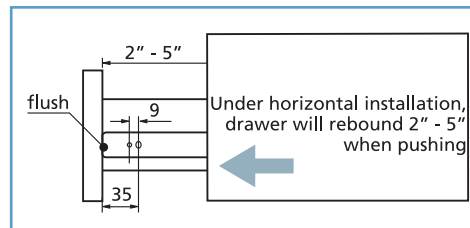
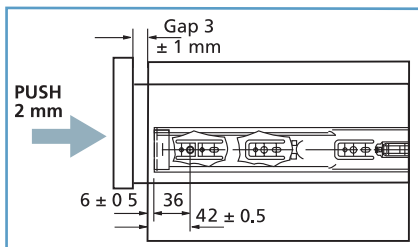


with push-rebound

- ▶ **Features**
  - ▶ Push-Rebound mechanism completely integrated in slide allowing easy installation
  - ▶ only 1/16" · 2 mm required to engage drawer opening
  - ▶ Non-handed disconnect release
  - ▶ Clear zinc finish
  - ▶ Black or white finish available\*
  - ▶ Screw mounting system 32 mm compatible
  - ▶ suitable for inset or overlay drawer fronts
  - ▶ 17/32" · 13 mm side spacing
  - ▶ Load rating 100 lbs per pair at 22" length (75 lbs for epoxy finish)
- \* Minimum order quantities may apply



| GS4060      | Mounting Dimensions |             |             |              |              |              |              |               |              |              | Max.         |
|-------------|---------------------|-------------|-------------|--------------|--------------|--------------|--------------|---------------|--------------|--------------|--------------|
| Slide Size  | Travel              | A           | B           | C            | D            | E            | F            | G             | H            | I            | Drawer Width |
| inches · mm | inches · mm         | inches · mm | inches · mm | inches · mm  | inches · mm  | inches · mm  | inches · mm  | inches · mm   | inches · mm  | inches · mm  | inches · mm  |
| 10 - 250    | 9-3/8 - 238         |             |             |              |              |              | 6-3/16 - 156 |               |              |              | 14 · 350     |
| 12 - 300    | 12 - 305            |             |             |              |              |              | 7-7/8 - 200  |               |              |              | 16 · 400     |
| 14 · 350    | 14 · 356            | 3-3/4 · 96  |             |              |              |              | 10 · 256     | 7-1/2 · 192   |              |              | 18 · 450     |
| 16 · 400    | 16 · 406            | 5 · 128     |             |              |              |              | 11-1/2 · 294 | 8-3/4 · 224   |              |              | 20 · 500     |
| 18 · 450    | 18 · 457            | 3-3/4 · 96  | 6-1/4 · 160 |              |              |              | 13-1/2 · 344 | 11-5/16 · 288 |              |              | 22 · 550     |
| 20 · 500    | 20 · 508            | 3-3/4 · 96  | 6-1/4 · 160 | 13-7/8 · 352 |              |              | 15-1/2 · 394 | 8-3/4 · 224   | 13-7/8 · 352 |              | 24 · 600     |
| 22 · 550    | 22 · 559            | 5 · 128     | 7-1/2 · 192 | 15-1/8 · 384 |              |              | 17-1/2 · 444 | 8-3/4 · 224   | 13-7/8 · 352 |              | 26 · 650     |
| 24 · 600    | 24 · 610            | 5 · 128     | 8-3/4 · 224 | 16-3/8 · 416 |              |              | 19-1/2 · 494 | 8-3/4 · 224   | 13-7/8 · 352 | 17-5/8 · 448 | 28 · 700     |
| 26 · 650    | 26 · 660            | 5 · 128     | 8-3/4 · 224 | 16-3/8 · 416 | 18-7/8 · 480 |              | 21-3/8 · 544 | 8-3/4 · 224   | 13-7/8 · 352 | 18-7/8 · 480 | 30 · 750     |
| 28 · 700    | 28 · 711            | 5 · 128     | 8-3/4 · 224 | 11-3/8 · 288 | 18-7/8 · 480 | 21-3/8 · 544 | 23-3/8 · 594 | 8-3/4 · 224   | 13-7/8 · 352 | 21-3/8 · 544 | 32 · 800     |